

AA25B

25 WATTS

AA25B Series

Total Power	25Watts
Input Voltages	24V or 48V
# of Outputs	Single, Dual, Triple



SPECIAL FEATURES

- 100 KHz fixed frequency
- Isolated outputs
- Surface mount internal construction
- Six-sided shielding
- Wide 4:1 input range
- 0.25% line/load regulation (main output)
- Low profile PCB mounting

ENVIRONMENTAL

Operating Temperature (case):
-25°C to +70°C (no derating)

Storage Temperature: -40°C to +105°C

Cooling Method: Convection

MTBF: 385,000 Hours (MIL HDBK-217)

ELECTRICAL SPECIFICATIONS

Input

Input Range 9 to 36 VDC; 20 to 72 VDC
 Input Ripple Current <100 mA p-p
 Efficiency 80-85% typical

Control

Voltage Adjust 90 to 110% V_o
 using external resistor or trim pot
 Enable on= 2.5 to 5.5VDC or open circuit
 off= 0 to 1.8VDC

Output

Voltage Tolerance $\pm 1\%$ (output 1);
 $\pm 3\%$ (output 2 and output 3)
 (factory set-point)
 Line Regulation 0.25% (output 1);
 2% (output 2 and output 3)
 Load Regulation 0.25% (output 1);
 3% (output 2 and output 3)
 Output Voltage Protection zener clamp
 External Trim Adjustment $\pm 10\%$ of nominal (single output only)
 Noise/Ripple 50mV p-p (output 1);
 100mV p-p (output 2 and output 3),
 under specified conditions
 Short Circuit Protection power cycling, auto-recovery
 (main output)

Isolation

I/O Isolation 500 VDC

NOTES

Minimum load 20% of full load.

All specifications are typical at nominal input, full load unless otherwise noted.

Specifications subject to change without notice.

Mechanical drawings for reference only.

ORDERING INFORMATION

Input Voltage	Output 1 Voltage	Output 2 Voltage	Output 3 Voltage	Maximum Power	Model Number
9-36V	5V @ 5A	----	----	25W	AA25B-024L-050S
9-36V	12V @ 2A	----	----	24W	AA25B-024L-120S
9-36V	15V @ 1.60A	----	----	24W	AA25B-024L-150S
9-36V	12V @ 1A	-12V @ 1A	----	24W	AA25B-024L-120D
9-36V	15V @ 0.80A	-15V @ 0.80A	----	25W	AA25B-024L-150D
9-36V	5V @ 3.50A	12V @ 0.75A	-12V @ 0.75A	25W*	AA25B-024L-050T120
9-36V	5V @ 3.50A	15V @ 0.50A	-15V @ 0.50A	25W*	AA25B-024L-050T150
<hr/>					
20-72V	5V @ 5A	----	----	25W	AA25B-048L-050S
20-72V	12V @ 2A	----	----	24W	AA25B-048L-120S
20-72V	15V @ 1.60A	----	----	24W	AA25B-048L-150S
20-72V	12V @ 1A	-12V @ 1A	----	24W	AA25B-048L-120D
20-72V	15V @ 0.80A	-15V @ 0.80A	----	24W	AA25B-048L-150D
20-72V	5V @ 3.50A	12V @ 0.75A	-12V @ 0.75A	25W*	AA25B-048L-050T120
20-72V	5V @ 3.50A	15V @ 0.50A	-15V @ 0.50A	25W*	AA25B-048L-050T150

Please contact Astec for information on other output voltages, power ranges and configurations.

PIN ASSIGNMENTS

Single Output

- +Vin
- Vin
- No pin
- Trim
- No pin
- Output 1
- COM (O/P Common)
- Control (Enable)

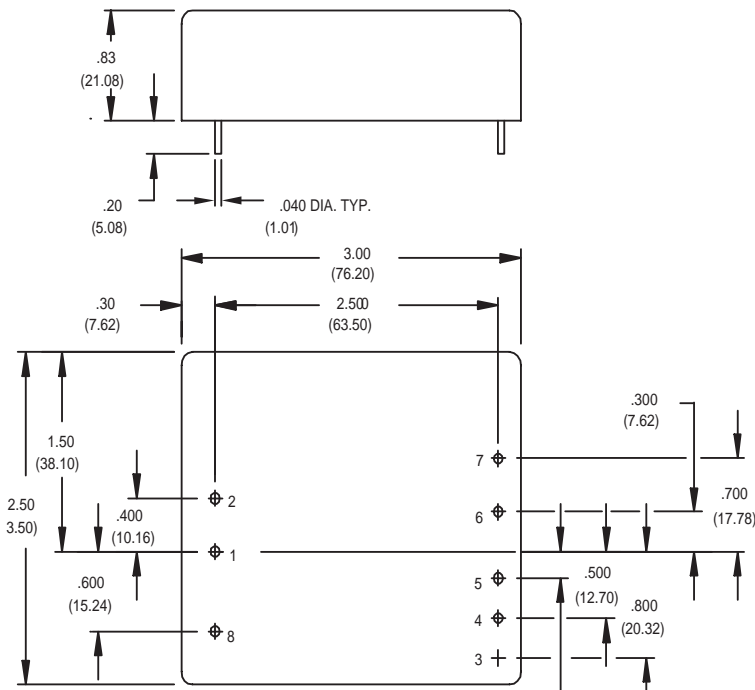
Dual Output

- +Vin
- Vin
- Output 1
- COM (O/P Common)
- Output 2
- No pin
- No pin
- Control (Enable)

Triple Output

- +Vin
- Vin
- Output 2
- COM (O/P Common)
- Output 3
- Output 1
- COM (O/P Common)
- Control (Enable)

DIMENSIONS



Note: Pins 0.040 in Dia x 0.15 in min

TRIM METHOD

